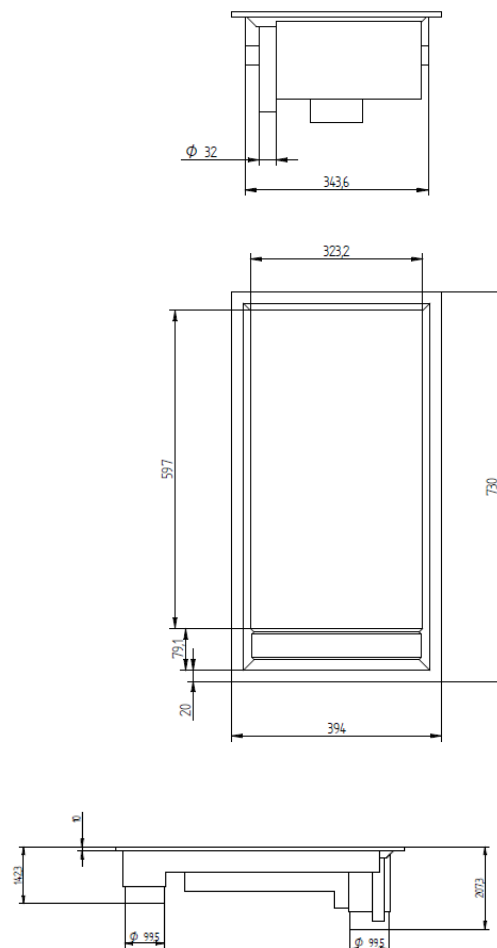


TECHNICAL FEATURES	
External structure	AISI 304 stainless steel
Dimensions	730 x 394 x 208
Power	8000W = 2 x 4000W
Cooking surface	Multilayer composite aluminium + stainless steel
Control panel	360° control knob and temperature display in °C on 4-digit display 60°C to 250°C
Amp	12A
Functions	Temperature setting: min: 60°C - max: 250°C. Temperature adjustment range: 10°C Time to reach 200°C: less than 3 minutes.
Power supply	400 V ; 440 V; 220 V; AC 50 - 60 Hz Compatible with TERRA WATT & SICO-TRONIC energy optimizer.
Weight	50kg / 110.2 lbs
Standards	Complies with European standards for safety of electrical appliances, for EMC, for Rohs.
Options & Details	Plug, spatula and ventilation kit available upon request.



millimeters



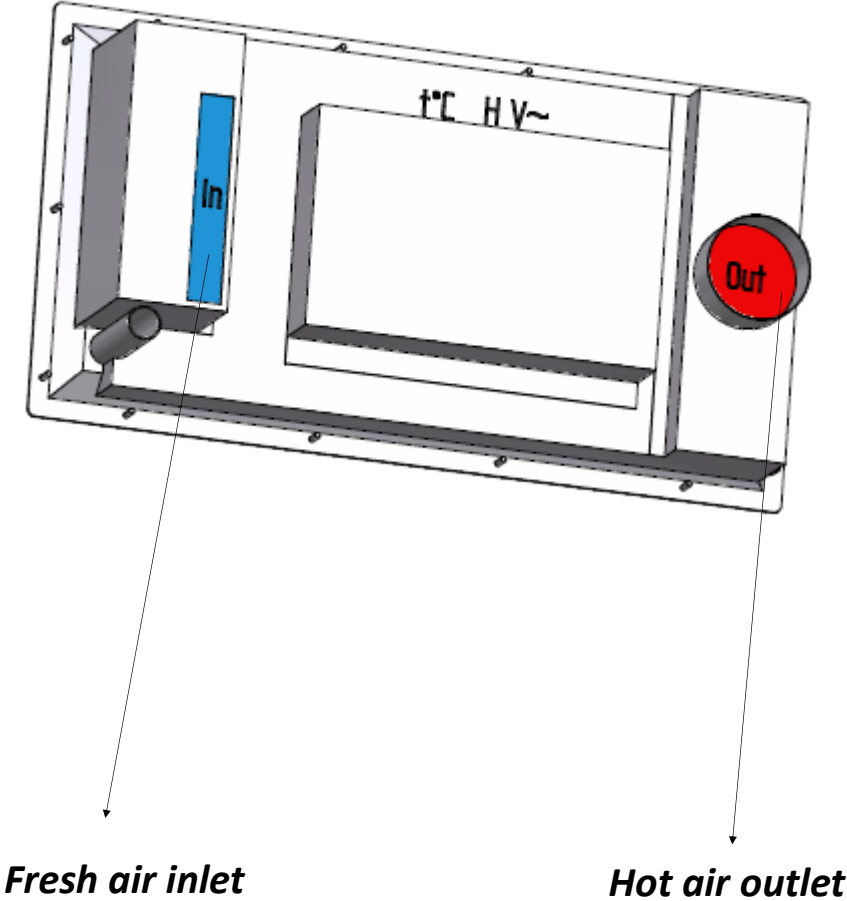
Cut out: 362 x 698mm

ADVENTYS
Route de Pagny - 21250 Seurre - France
www.adventys.com
sales@adventys.com
T: +33 3 80 20 46 15

Important note

Adventys reserves the right to modify specifications without notice.

Aeraulic



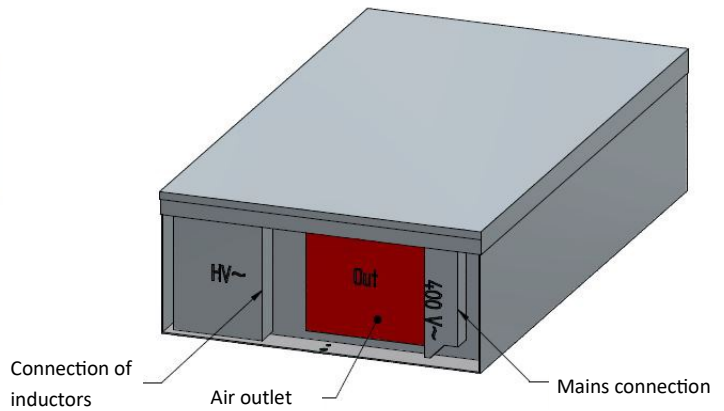
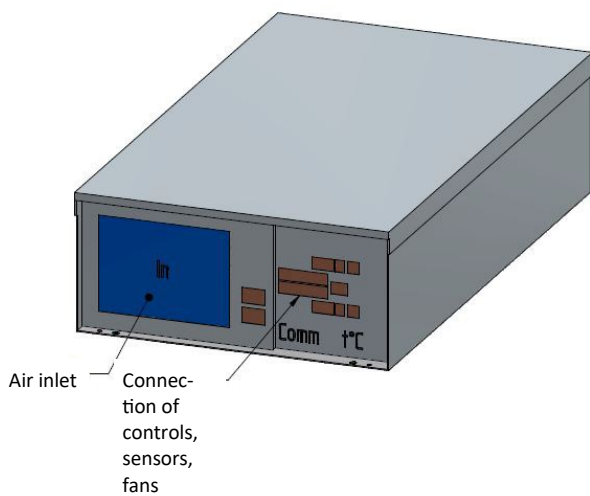
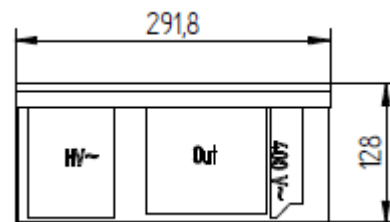
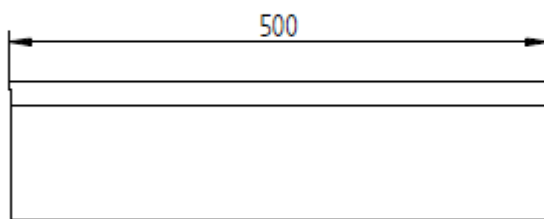
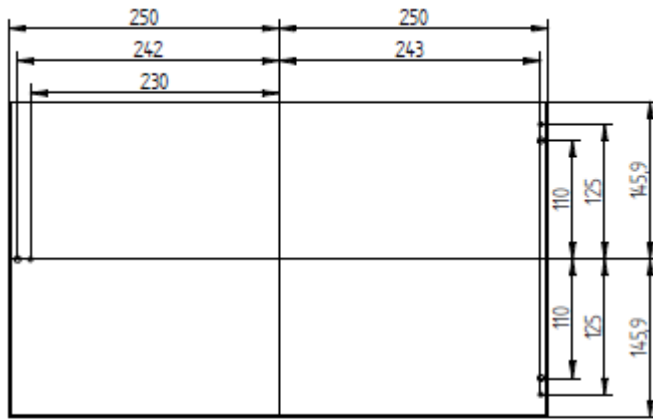
ADVENTYS
Route de Pagny - 21250 Seurre - France
www.adventys.com
sales@adventys.com
T: +33 3 80 20 46 15

Important note

Adventys reserves the right to modify specifications without notice.



Generator plan



ADVENTYS
Route de Pagny - 21250 Seurre - France
www.adventys.com
sales@adventys.com
T: +33 3 80 20 46 15

Important note

Adventys reserves the right to modify specifications without notice.